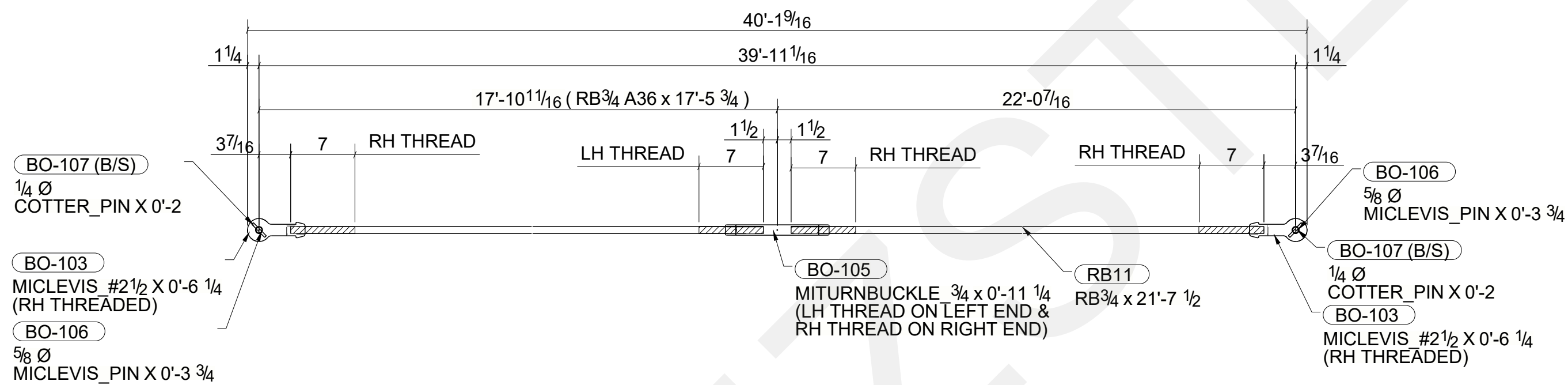
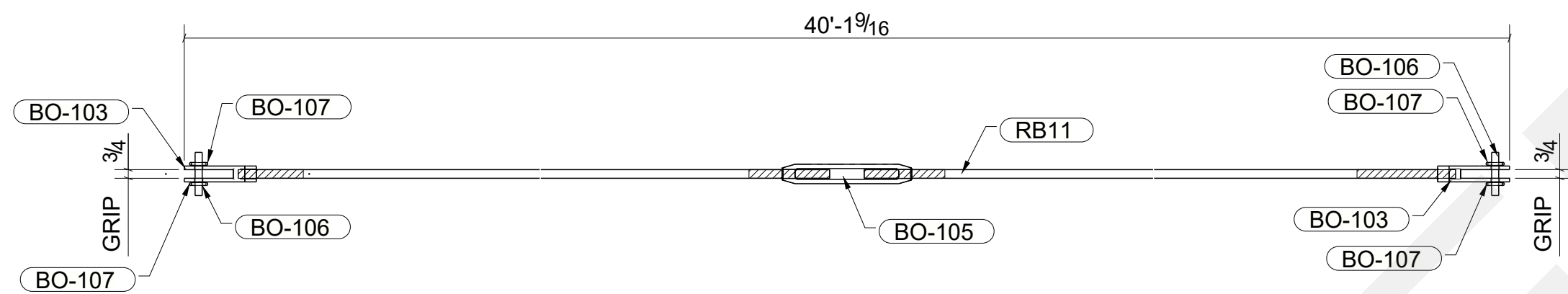


# BILL OF MATERIAL

SEQ. NO.	SEQ. QTY	SHIP MARK	MINOR MARK	QTY TOTAL	QTY UNIT	DESCRIPTION MATERIAL	LENGTH FT. IN.	STEEL GRADE	REMARKS	ADVANCE BILL#
1	6	5RB1		6		ROD BRACE			GALV	
			5RB1	6	1	RB3/4"	17' 5 3/4"	A36		
			BO-103	12	2	MICLEVIS_#2 1/2	0' 6 1/4"	A36		
			BO-105	6	1	MITURBUCKLE_3/4"	0' 11 1/4"	A36		
			BO-106	12	2	MICLEVIS_PIN	0' 3 3/4"	A36		
			BO-107	24	4	COTTER_PIN	0' 2"	A36		
			RB11	6	1	RB3/4"	21' 7 1/2"	A36		



**6-ROD BRACE-5RB1**