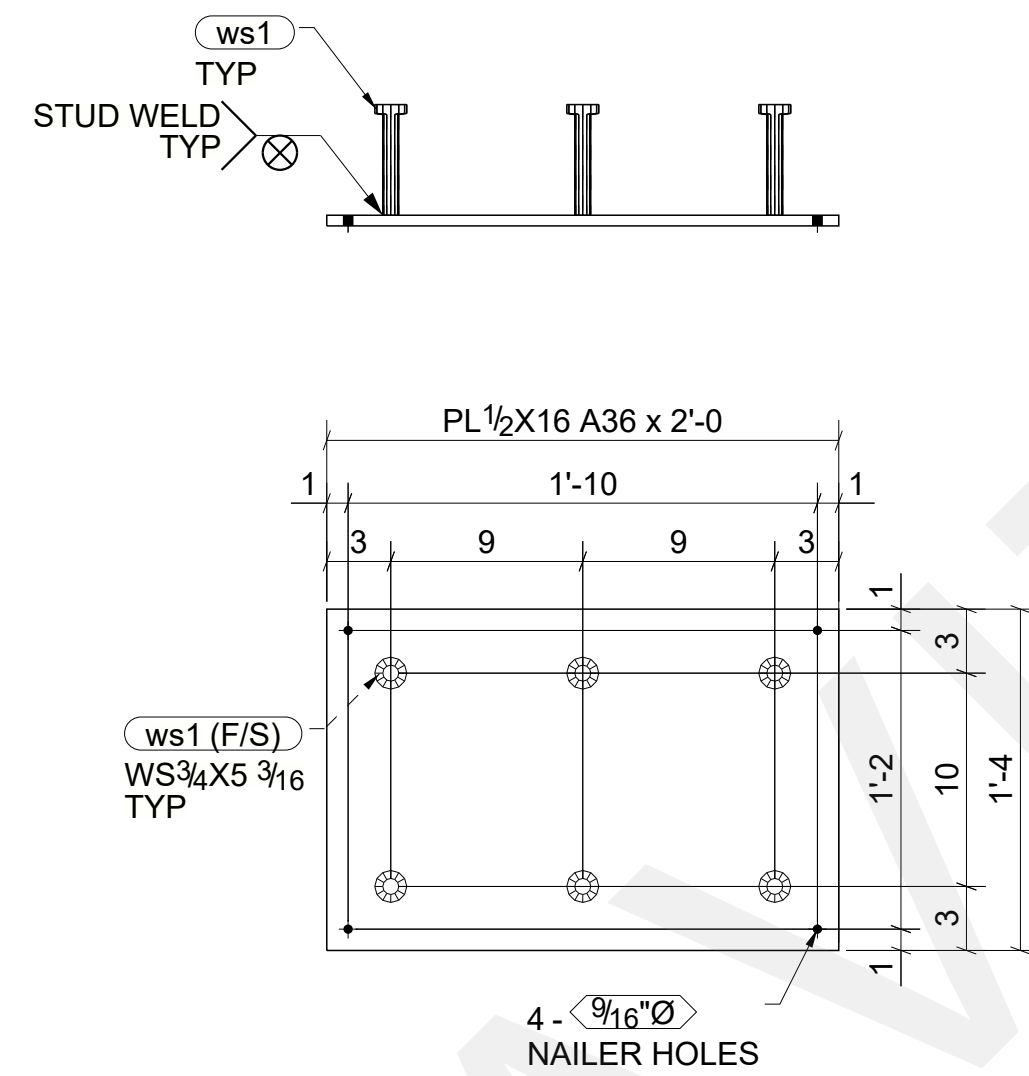


BILL OF MATERIAL

SEQ. NO.	SEQ. QTY	SHIP MARK	MINOR MARK	QTY TOTAL	QTY UNIT	DESCRIPTION MATERIAL	LENGTH FT. IN.	STEEL GRADE	REMARKS	ADVANCE BILL#
1000	2	1008EM1		2		EMBED PLATE				
			1008EM1	2	1	PL1/2"X16"	2' 0"	A36		
			ws1	12	6	WS3/4X5 3/16		A108		



2-EMBED PLATE-1008EM1