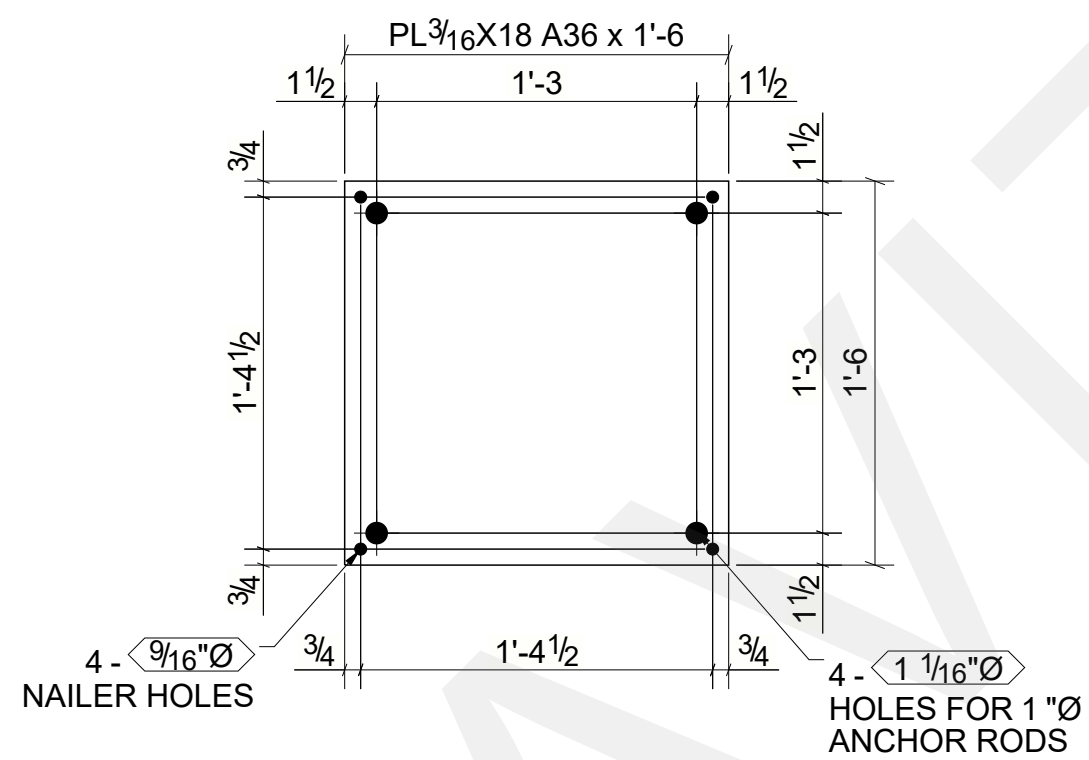


BILL OF MATERIAL

SEQ. NO.	SEQ. QTY	SHIP MARK	MINOR MARK	QTY TOTAL	QTY UNIT	DESCRIPTION MATERIAL	LENGTH FT. IN.	STEEL GRADE	REMARKS	ADVANCE BILL#
1000	65	1002P1		65		TEMPLATE				
			1002P1	65	1	PL3/16"X18"	1' 6"	A36		



65-TEMPLATE-1002P1