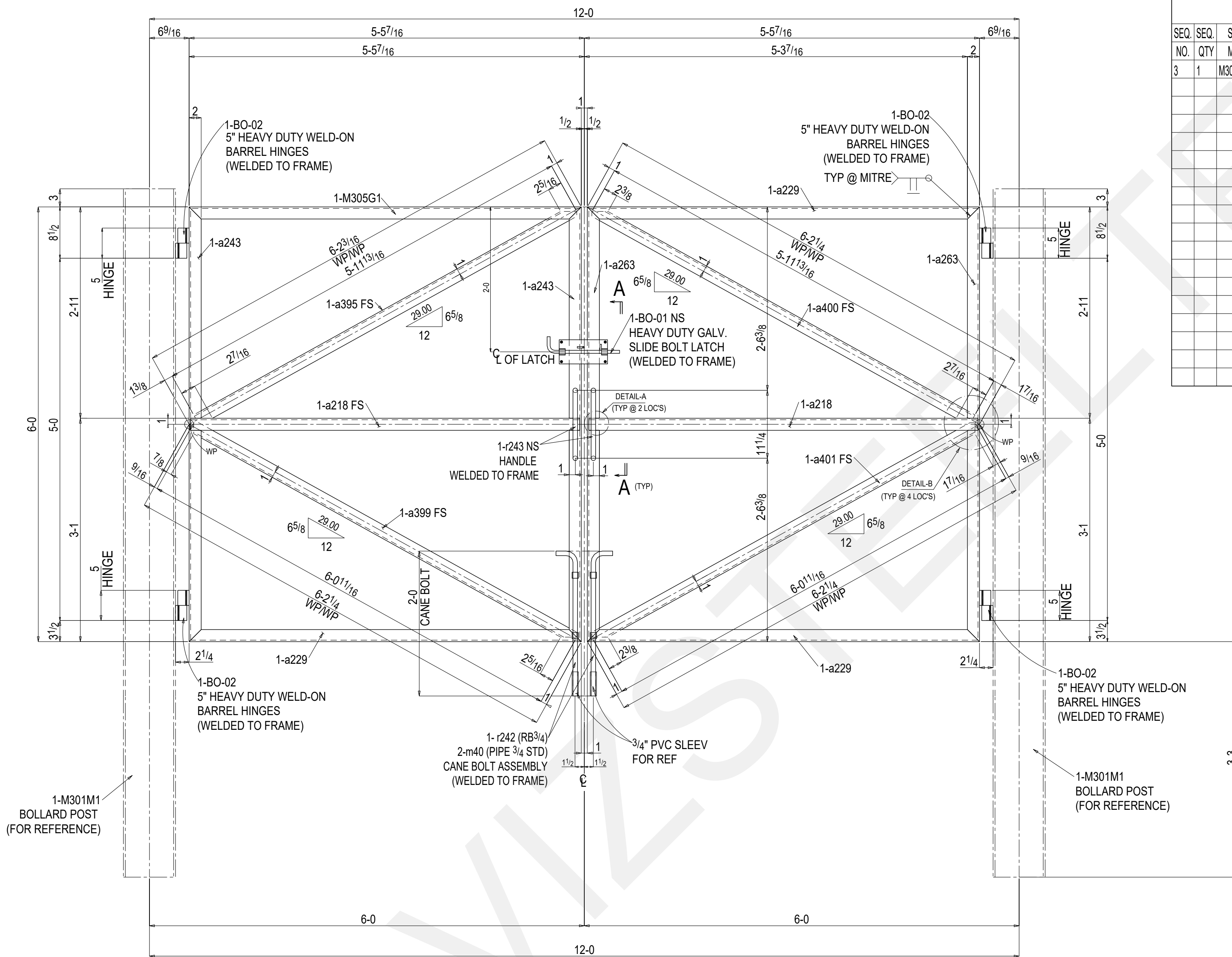
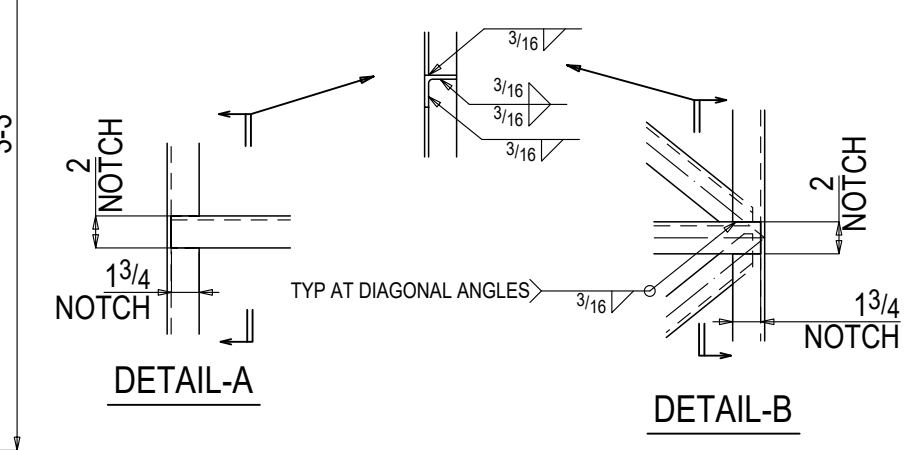


BILL OF MATERIAL

SEQ. NO.	SEQ. QTY	SHIP MARK	MINOR MARK	QTY TOTAL	QTY UNIT	DESCRIPTION MATERIAL	LENGTH FT.	IN.	STEEL GRADE	REMARKS	ADVANCE BILL #
3	1	M305G1		ONE		GATE					
			M305G1	1	1	L2x2x1/4	5	4 ¹⁵ / ₁₆	A36	B2E	
			m40	4	4	PIPE 3/4 STD	0	1	A53B		
			a399	1	1	L2x2x1/4	6	0 ¹¹ / ₁₆	A36	B2E	
			a401	1	1	L2x2x1/4	6	0 ¹¹ / ₁₆	A36	B2E	
			a243	2	2	L2x2x1/4	6	0	A36	B2E	
			a263	2	2	L2x2x1/4	6	0	A36	B2E	
			a395	1	1	L2x2x1/4	5	11 ¹³ / ₁₆	A36	B2E	
			a400	1	1	L2x2x1/4	5	11 ¹³ / ₁₆	A36	B2E	
			a229	3	3	L2x2x1/4	5	4 ¹⁵ / ₁₆	A36	B2E	
			a218	2	2	L2x2x1/4	5	4 ⁷ / ₁₆	A36		
			r242	2	2	RB ³ / ₄	2	2 ¹ / ₈	A36		
			r243	2	2	RB ³ / ₄	1	4	A36		
			BO-02	4	4	DARO HINGES	0	5		ITEM#610505, BUYOUT	
			BO-01	1	1	HEAVY DUTY SLIDE BOLT LATCH				GALV,BUYOUT	



Section A-A M305G1



ONE GATE M305G1